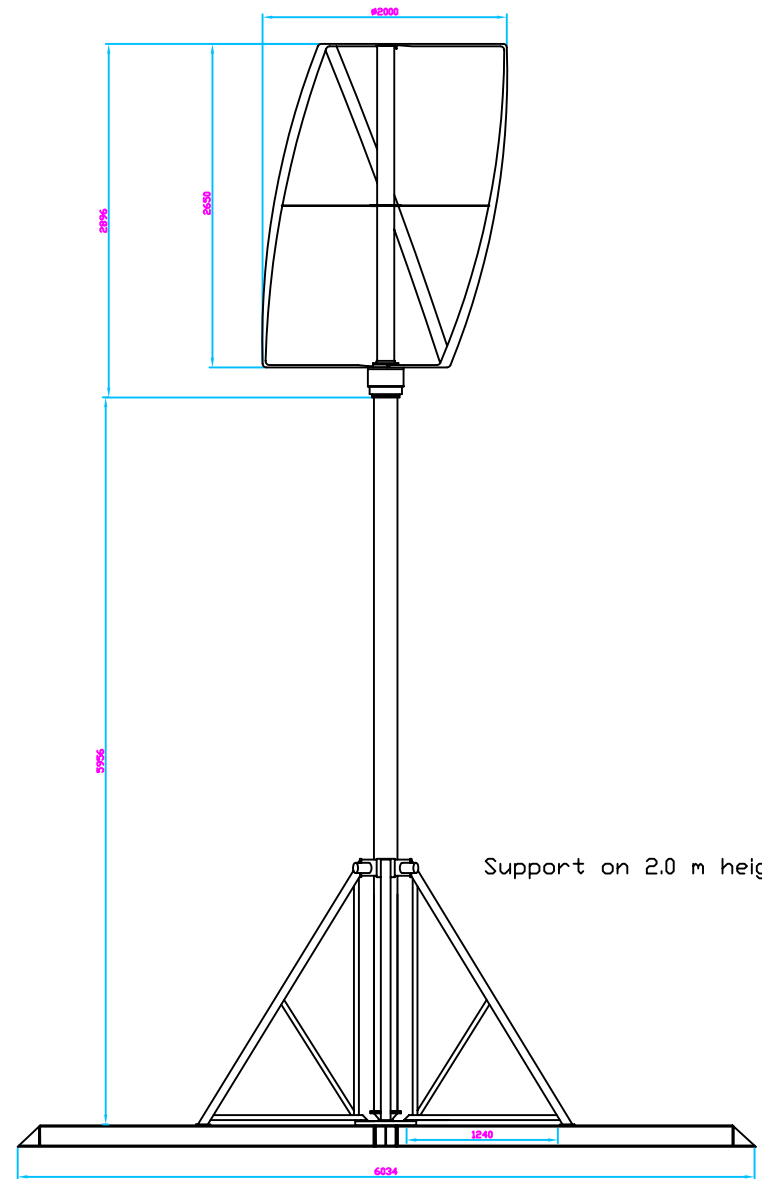


Freestanding

Base models:  
 height: 7,5 m stainless / galvanised  
 height: 9,0 m stainless / galvanised



Spring supported.

Base models:  
 height: 5.0 m stainless / galvanised  
 height: 6.0 m stainless / galvanised

Foundations: crossframes HEA 160 profiles, galvanised

Det.No	Qty	Denomination	Material	Dimension	Comments
Constr.	drawer	Inspection	Scale	replaced	replaced by
D. Sidler					
NAME:			DATE:		
Turby			05-10-2005		
Dimensional drawing			FILE NAME:		
Projectie methode.			masttypes		
			NR.		
			-----		